

GRP Uni-Strut Profile

GRP Uni-Strut type profile

Product description

The 41x41x3.2mm mm grp uni-strut profile is made by the pultrusion process giving a section that is structurally strong and dimensionally consistent . The uni-strut profile matches the steel strut so that it takes the same shaped nuts, with and without springs that are widely available for the steel strut.

The profile meets all the requirements of EN 13706 – Specification of grp profiles – Grade E17 and is manufactured under ISO 9000 registered quality control system.

The profile is stocked in 6m lengths, colour grey.

We also have the half strut available at 25mm x 41mm x 3mm

Applications

The strut profile is electrically non-conductive and resistant to corrosion by water, salt and most chemicals.

Typical applications include:

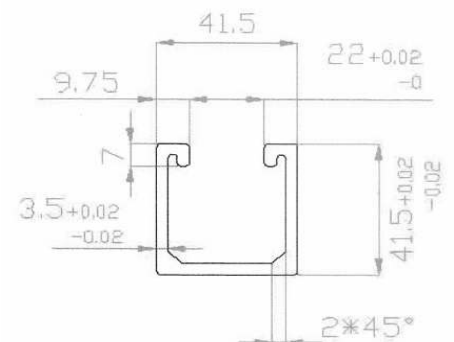
- Support frames for cabinets holding electrical switchgear, process control instruments, etc
- Support for electrical cable trays and ladders
- Support for pipes, conduits, etc

Mechanical Properties

Full section modulus =19GPa measured by the method- EN 13706, Annex D

Moment of inertia Ixx = 130,000mm⁴

Bolt pull out strength with Zebidee nut - 2000N



Concentrated Load at centre of span. Deflection limited to span/200

	Span mm			
	1000	1500	2000	2500
Load kg	150	65	38	25